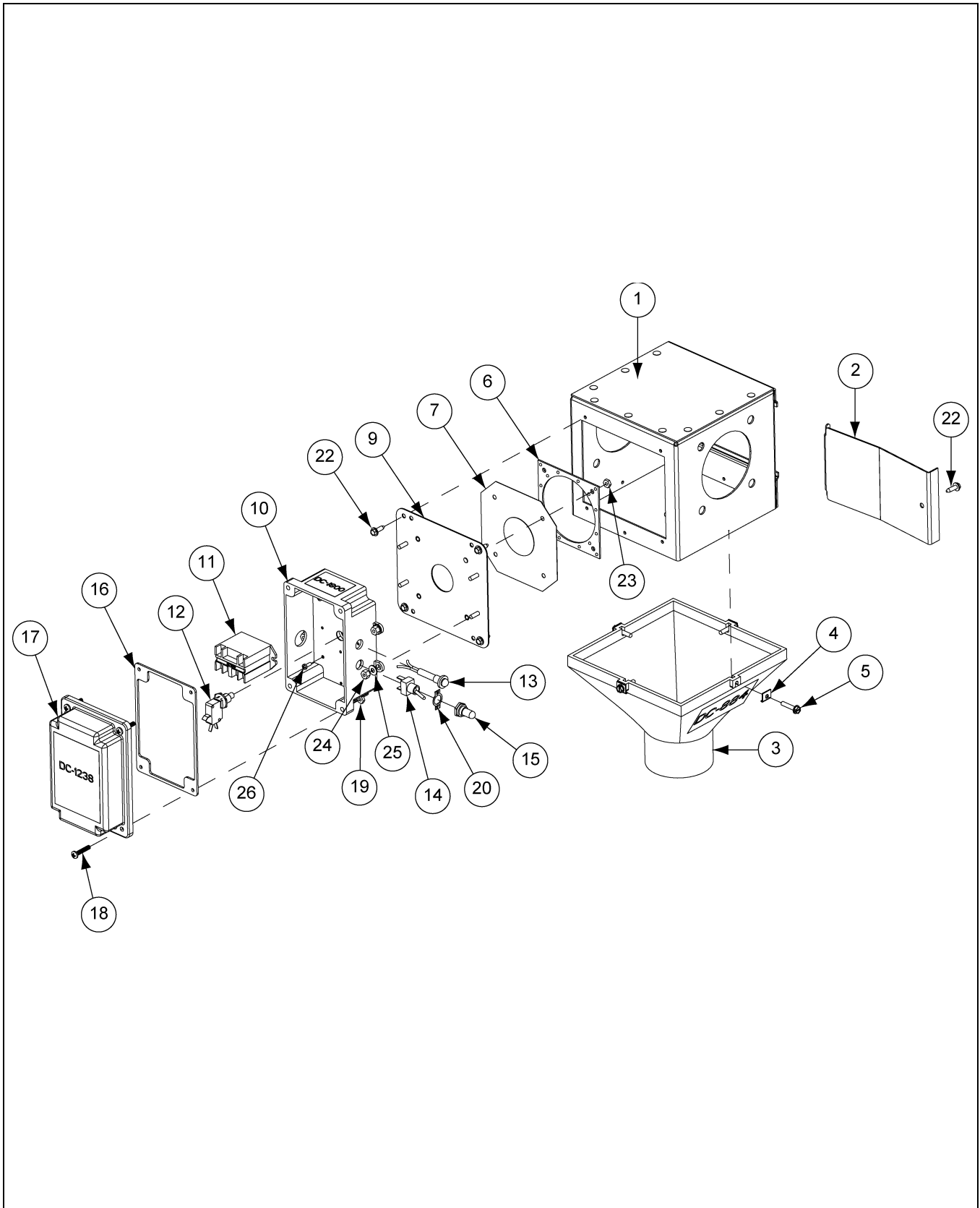




1004 East Illinois Street • Assumption, IL 62510 • 1-217-226-4421

# Instructions Flex-Flo Control Unit Model 220, 300, 350 and 500



Date: 03-23-10

Printed in the U.S.A.  
Copyright © 2010 by Group  
www.gsiag.com



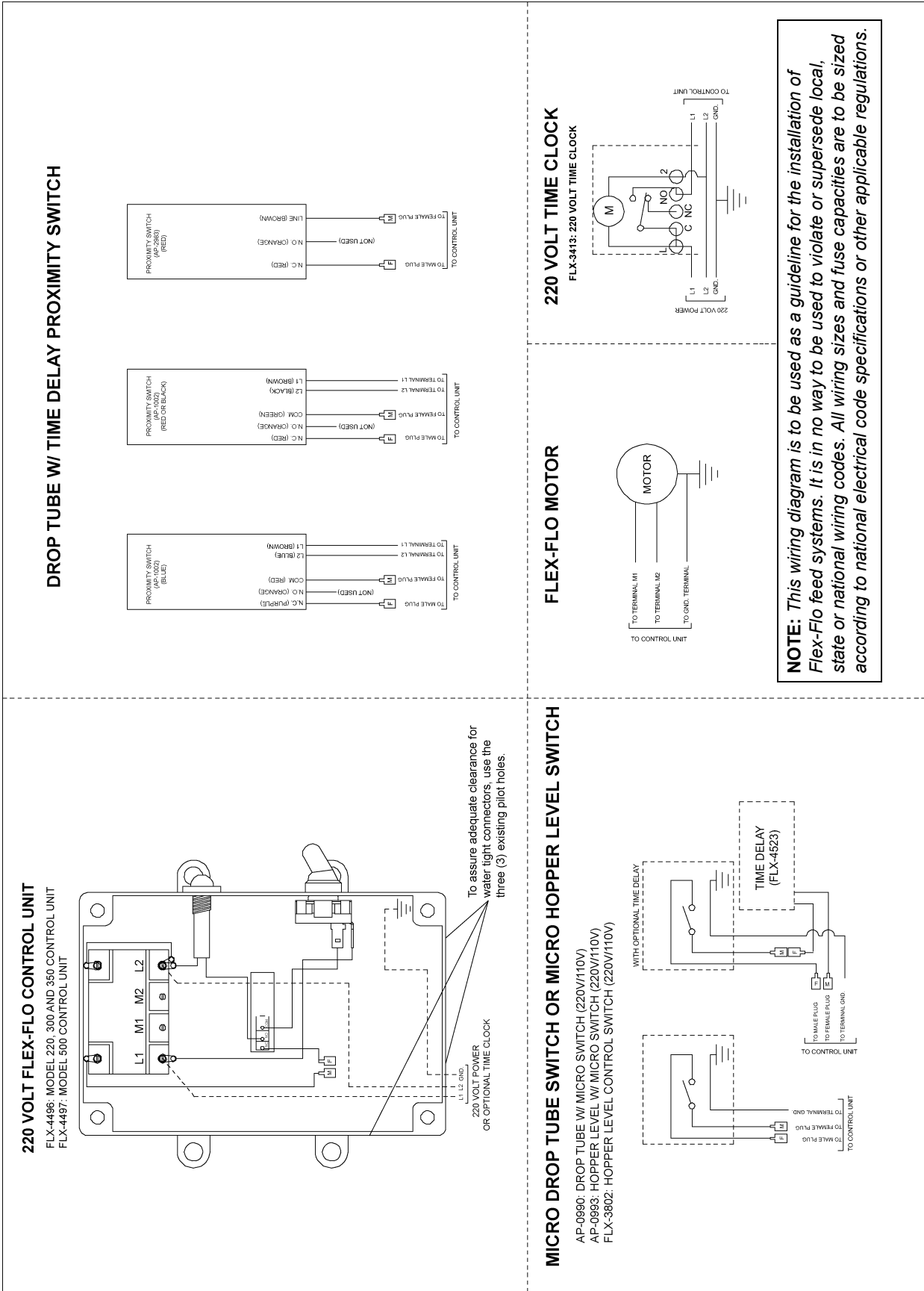
PNEG-570  
Page 1 of 6

# Flex-Flo Control Unit Model 220, 300, 350 and 500

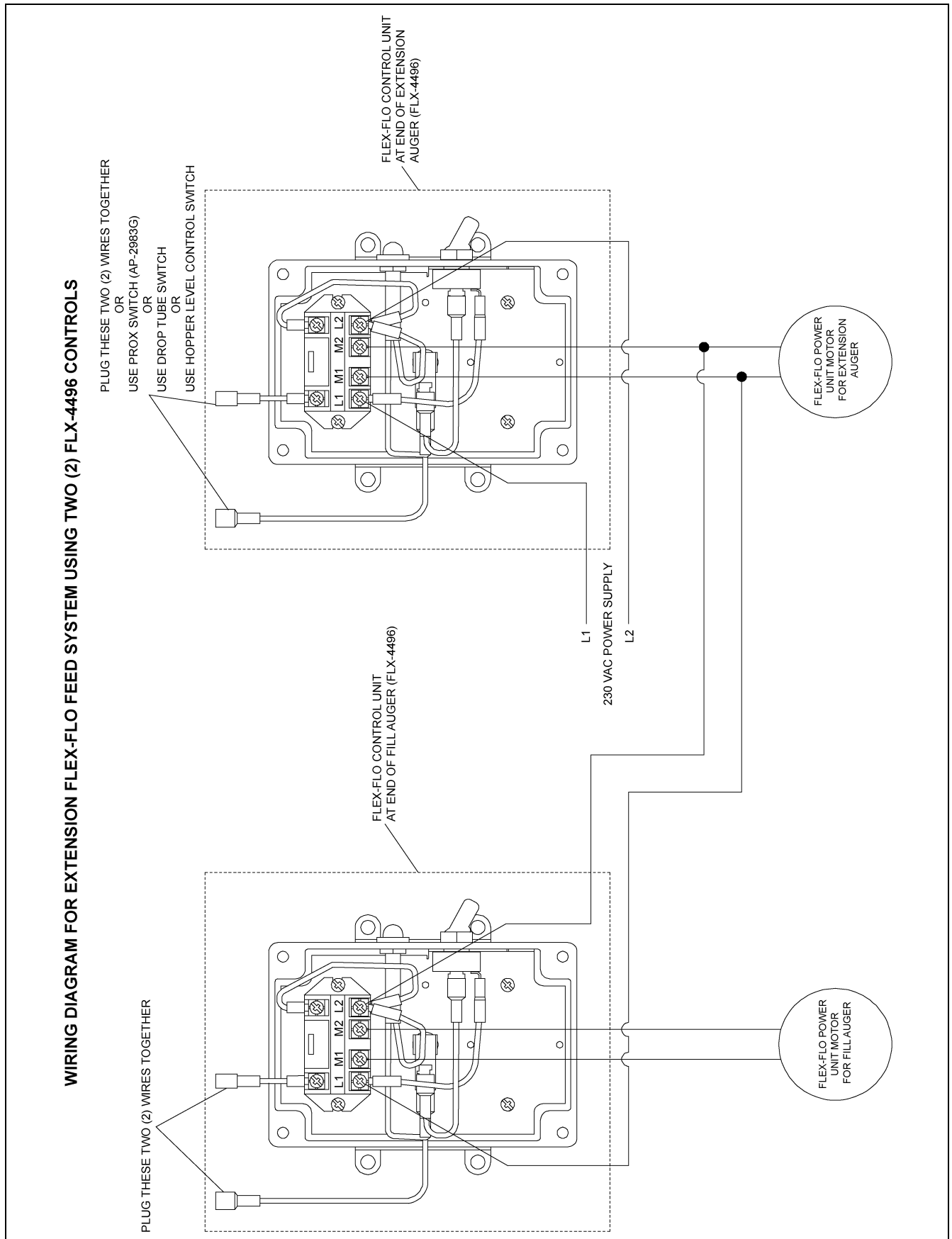
## Control Unit

Ref #	Part #	Description	Qty
1-21	FLX-4496	220, 300, 350 Control Unit - 220V	1
1-21	FLX-4497	500 Control Unit - 220V	1
6-21	FLX-4512	Control Unit Electrical Box - 220V	1
1	FLX-4260	220, 300, 350 Control Unit Body Assembly	1
1	FLX-3819	500 Control Unit Body Assembly	1
2	FLX-4261A	Access Door w/ DC-884 Decal	1
3	FLX-2017	220, 300, 350 Power Head Drop (No Hardware)	1
3	FLX-2309	500 Power Head Drop (No Hardware)	1
4	AP-2213	Power Head Drop Retaining Clip	4
5	S-7621	Screw, SDS #10-16 x 1" HWH ZN Grade 2	4
6	FLX-2380	Small Diaphragm Retainer	1
7	FLX-4410	Diaphragm Assembly	1
9	FLX-4510	Base Plate	1
10	FLX-4516	Control Box Electrical Box (Bottom) Drill	1
11	E260-1021	Relay, 0.2 PST 25 Amp, 220V	1
12	S-7707	Limit Switch	1
12	S-9395	Nut, Ring for S-7707, 12 mm x 0.75 Thread	1
13	S-7604	Red Light - 250V	1
14	20-5060	Toggle Switch - SPST 15A w/ ON/OFF	1
15	70-0129	Boot for Toggle Switch	1
16	FLX-4561	Gasket	1
17	FLX-4517	Lid for Control Box with DC-1238 Decal	1
18	S-995	Screw #10-32 x 1/2"	4
19	S-7913	Hex Nut #10-32	4
20	S-6622	ON/OFF Plate for Toggle Switch	1
N/S	S-4694	#2 Weldless Chain	6 Feet
22	S-280	Screw, SDS #10-16 x 5/8" HWH ZN	7
23	S-849	Hex Nut 10-24 Grade 2	4
24	S-2010	Nylock Nut #10-24 ZN Grade 2	4
25	S-3674	Flat Washer #10 x 7/32" I.D. x 1/2" O.D. x 18 Gauge TSAE ZN Grade 2	4
N/S	S-3383	S-Hook, S-8, 1-1/2", #41	3
26	S-8183	Screw, SMSA #6 x 3/8" PHP ZN	4
N/S	S-8823	Ground Screw	1

220V/110V, Single Phase Control Unit

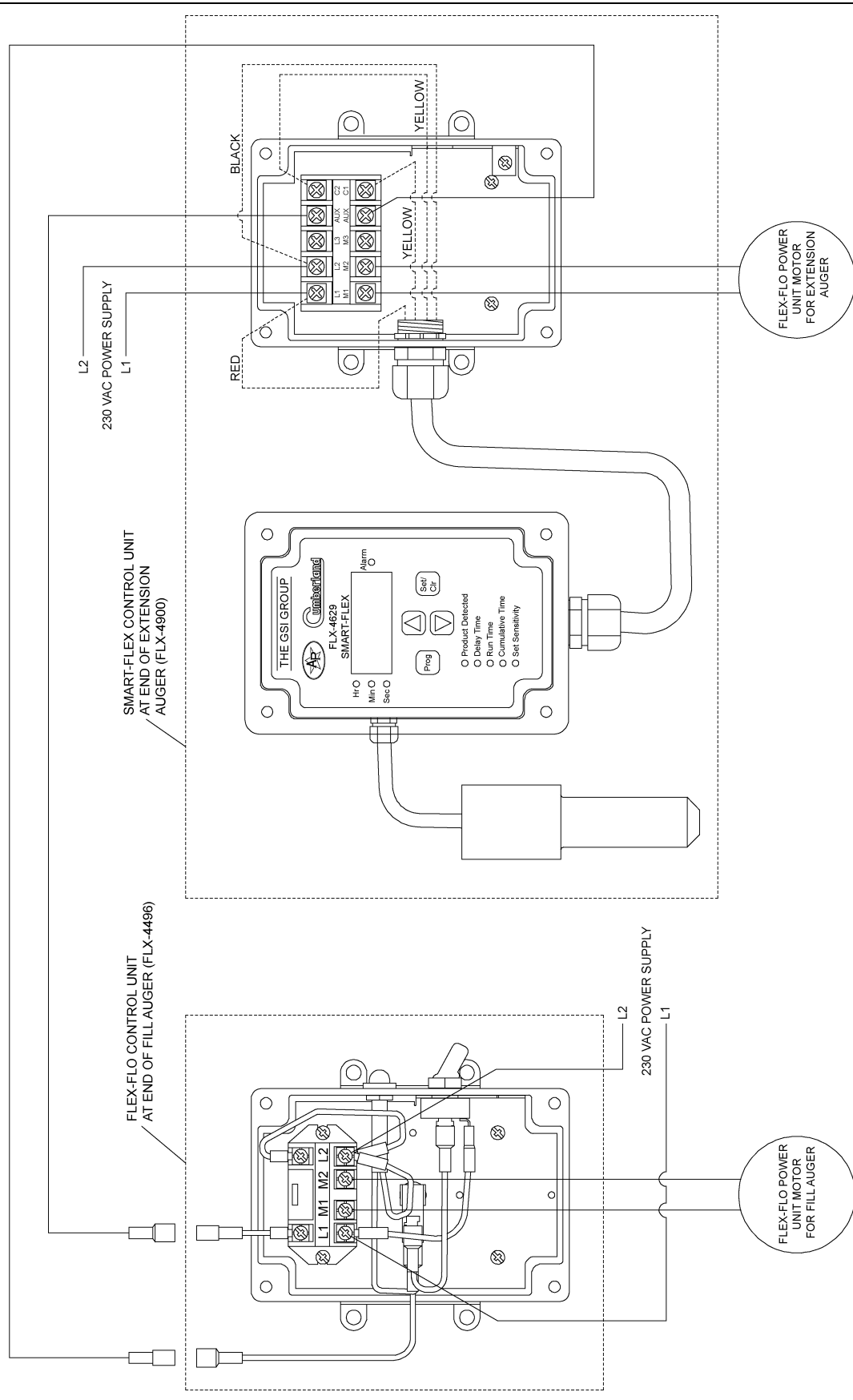


230V, Single Phase Control Unit



230V, Single Phase Control Unit

WIRING DIAGRAM FOR EXTENSION FLEX-FLO FEED SYSTEM USING SMART-FLEX CONTROL



208-230V, 3 Phase Control Unit

